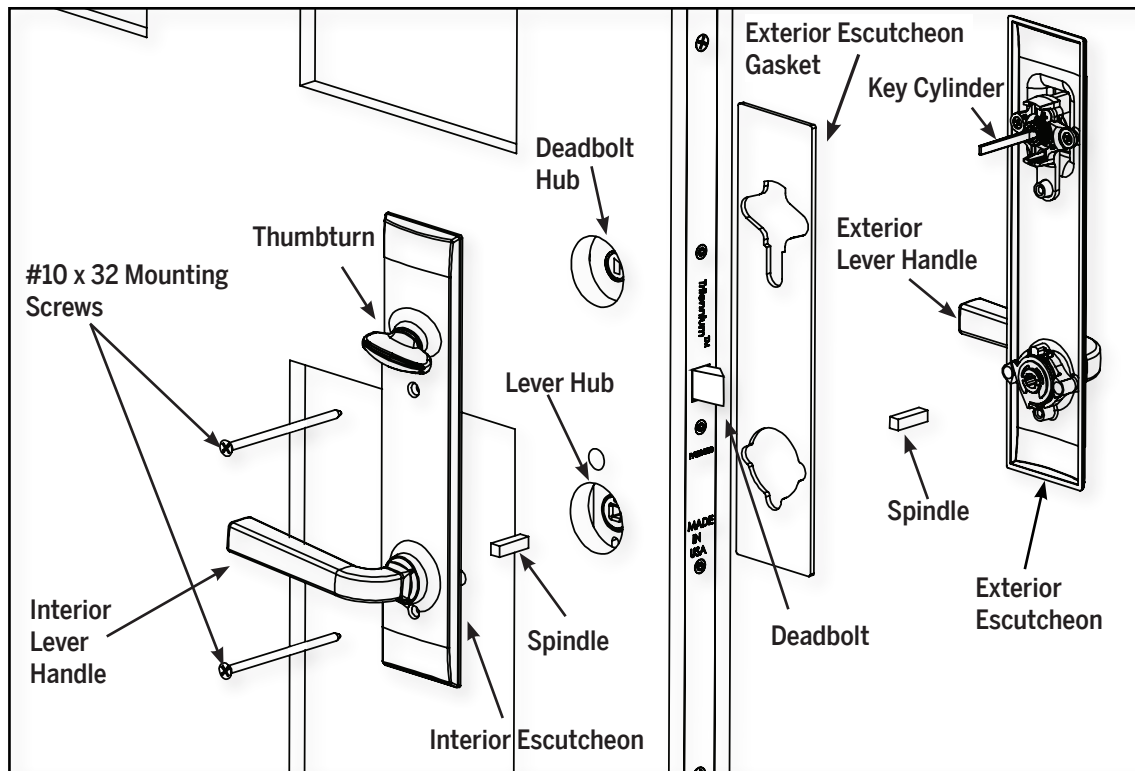


Overview

Check contents and identify all parts before proceeding

PARTS INCLUDED FOR NON-GRIP HANDSETS

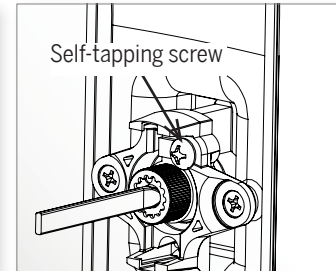
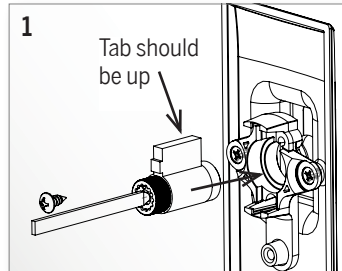
Interior Escutcheon:	(1) Individually Packed
Exterior Escutcheon:	(1) Individually Packed (1) Escutcheon Gasket
Handle Pack:	(2) Lever Handles
Cartridge Pack:	(1) Left Handed Handle Return Cartridge (1) Right Handed Handle Return Cartridge (4) #6-32 x 1/4" Phillips Head Cartridge Mounting Screws (2) #10-32 Allen Screws for Handles (1) 9/64" Allen Wrench
Key Cylinder Pack:	(1) Key Cylinder with (2) Keys (2) Drive Rods (1) #8 x 3/8" Self Tapping Screw (2) #10-32 Mounting Screws



HANDLE SET INSTALLATION-W&F ENTRY HARDWARE™

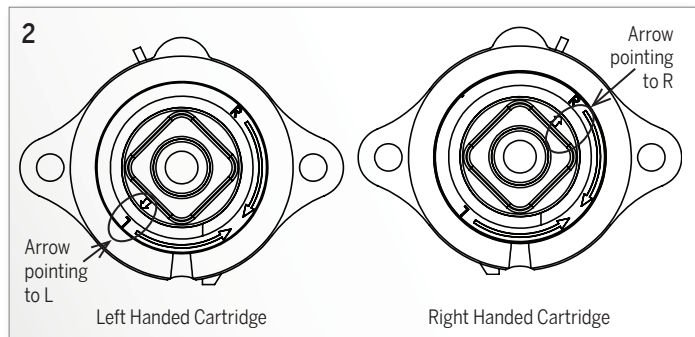
1. PREPARE EXTERIOR ESCUTCHEON

- Remove key from lock cylinder.
- Insert lock cylinder into upper hole from back side of escutcheon plate with tab pointing up. Orient as shown.
- Secure lock cylinder with # 8 x 3/8" self-tapping screw.



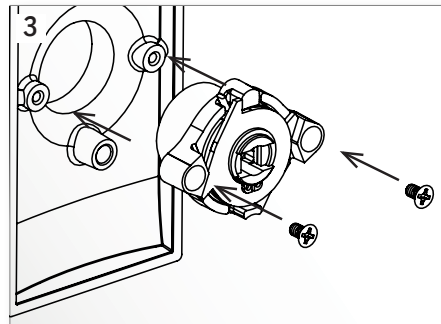
2. DETERMINE THE PROPER HANDING OF YOUR HANDSETS

- Note that there are two Handle Return Cartridges:
 - (1) Left Hand (LH) and (1) Right Hand (RH)
- Determine the proper lever for each escutcheon.
- The direction the lever points will determine which Handle Return Cartridge you will use on each escutcheon plate
 - Lever points to the left: use the Left Hand (LH) Cartridge
 - Lever points to the right: use the Right Hand (RH) Cartridge



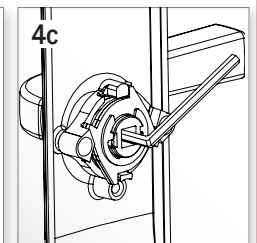
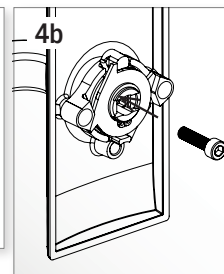
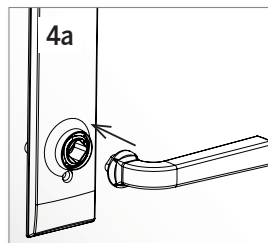
3. ATTACH THE CARTRIDGE TO THE ESCUTCHEON

- Once the proper cartridge for your handset is determined, insert the cartridge into the back of the escutcheon and secure with the two #6-32 x 1/4" Phillips Head Cartridge Mounting Screws.



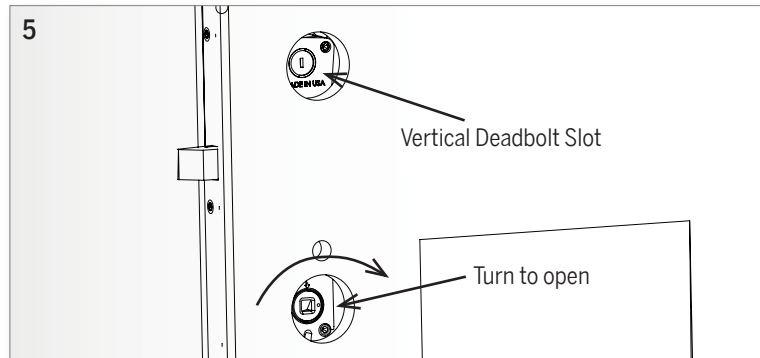
4. ATTACH THE LEVERS TO THE ESCUTCHEON

- Insert the handle into square recess in spindle and hold in place.
- Insert the handle mounting screw into the center of the cartridge and hand tighten with the Allen Wrench provided.
- Pull the lever tight against the cartridge to ensure that it is fully tightened.



5. CHECK HARDWARE IN DOOR FOR ALIGNMENT OF HUB

- Open door by turning the inside lever hub of the lock
- Deadbolt slot must be vertical
- Bolts must be in the latched (not deadbolted) position



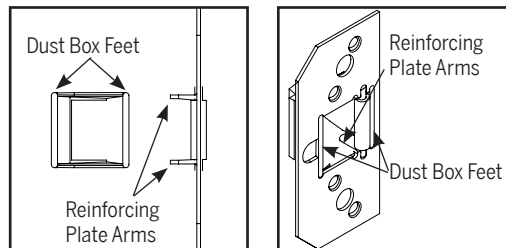
6. POSITION ESCUTCHEONS TO DOOR PANEL

- **Exterior first:** Place Escutcheon Gasket over inside face of escutcheon. Guide Cylinder Tailpiece and Spindle into respective hubs in hardware.
- Reference diagram on page 1
- Hold in place
- **Interior next:** Make certain that receiving slot in thumbturn lines up with the Cylinder Tailpiece.
- Secure with (2) #10-32 Mounting Screws from interior to exterior. Hand-tighten snug. **DO NOT OVERTIGHTEN**

7. STRIKE PLATE ASSEMBLY (IF NOT ALREADY COMPLETE)

Parts Required

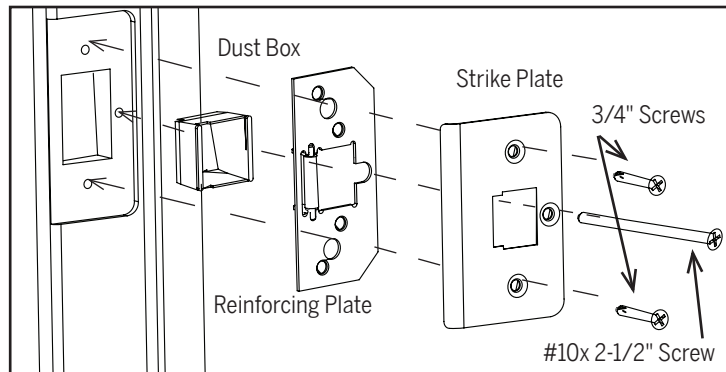
- (3) Dust Boxes
- (3) Reinforcing Plates
- (3) Strike Plates
- (6) 3/4" screws
- (3) #10 x 2-1/2" screws



- The Dust Box Feet should align with the grooves parallel to the roller.
- The strike plate arms should sit inside the dust cup.

A. Attach strike plates to jamb.

- Attach the Dust Box to the Reinforcing Plate.
- Align the 3 holes on the Strike Plate with the Reinforcing Plate.
- Orient as shown.
- Use 3/4" screws in top and bottom holes of each strike.
- Use long #10 x 2-1/2" Screw in center hole. (The purpose is to anchor each Strike Plate to the structural framing for added security.)
- Repeat for remaining strike locations.



Note

A $\varnothing 1/8$ " pilot hole should be drilled into the rough framing for the long screw.

Note

Solid shimming should be placed behind the jamb at each strike location to allow for firm anchoring to structure.

8. FINAL OPERATION CHECK

- All three latch bolts should engage strikes as door is closed.
- Turn thumbturn 90° to extend all three bolts an additional 1/2" to deadbolted position.
- Rotate interior lever downward to disengage bolts and open door. Bolts can also be moved to latched position by turning thumbturn.
- Engage deadbolt again. From the exterior, confirm that the lever cannot rotate and disengage the latches (door is deadbolted). With key, confirm that the door can be unlocked and then opened by rotating the lever downward.

Covered under one or more of the following U.S. Patents 5,524,941; 5,524,942; 7,753,418;

The information contained in this document is the confidential and proprietary information and trade secrets of Endura Products, Inc. Any disclosure, use or dissemination of such information without the express written permission of Endura Products, Inc. is strictly prohibited. Endura Products, Inc. also owns any and all intellectual property rights embodied in such information, including patent rights, copyrights, and trademark rights, and no license of any intellectual property right is intended, nor should any license be implied, as a result of the receipt of this document.

Rev. 6.28.16